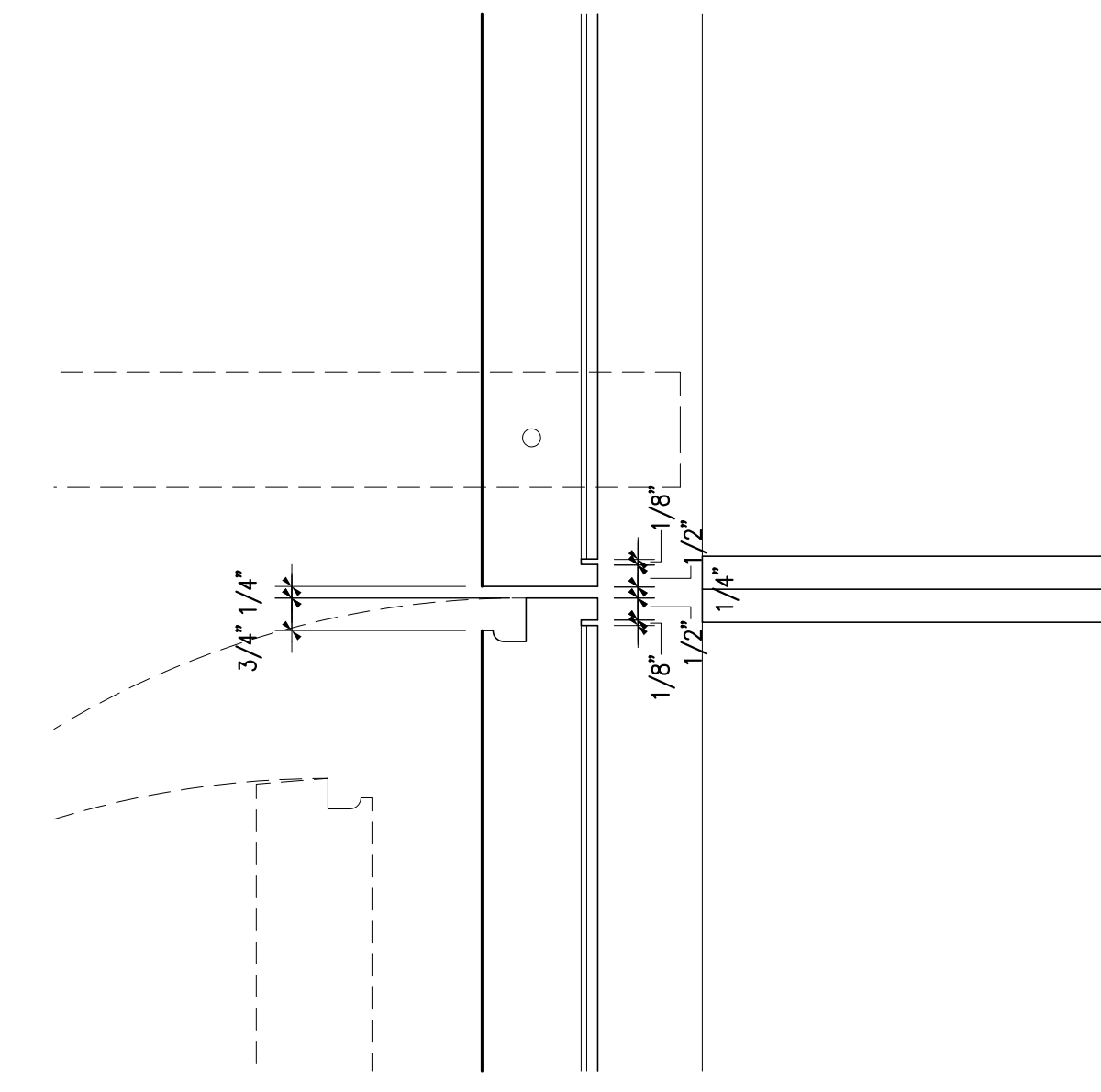


LEGEND

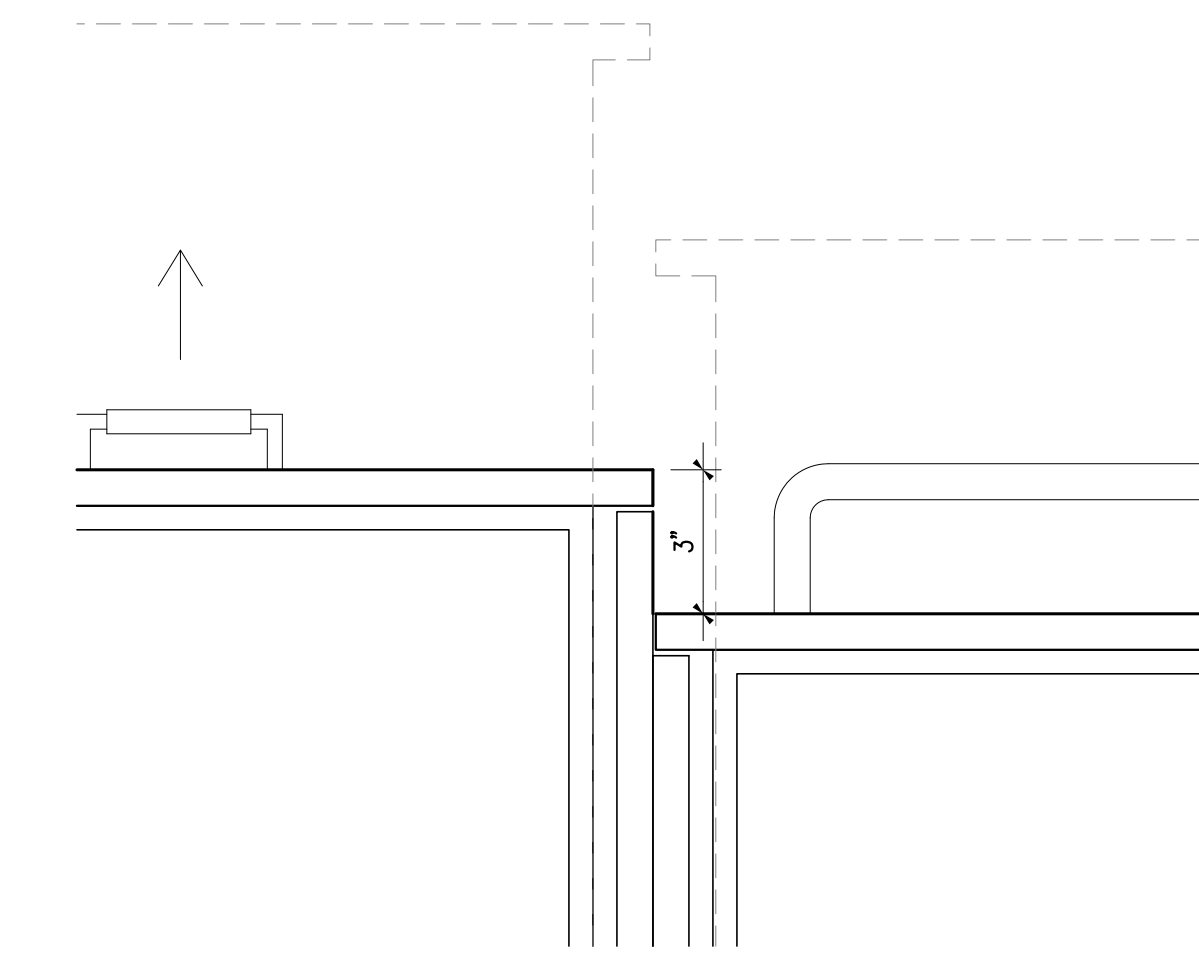
- SYCAMORE VENEER & EDGING
- SUPER WHITE STONE
- BIANCO NEVE STONE
- CLEAR ANODIZED ETCHED ALUMINUM
- CLEAR, LOW IRON GLASS
- CLEAR, LOW IRON MIRROR
- VENETIAN PLASTER

GENERAL NOTES

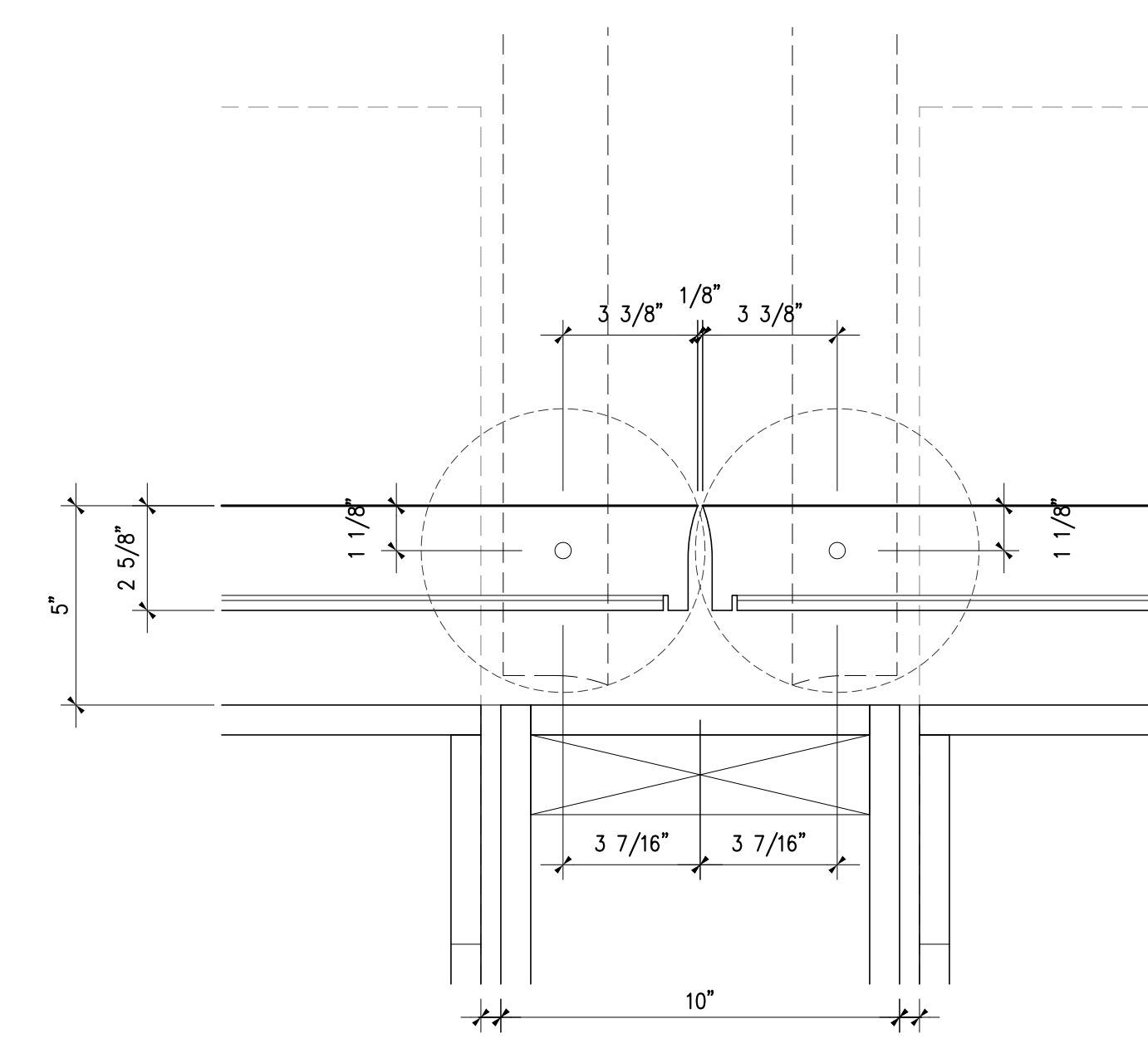
1. UNLESS OTHERWISE NOTED, THE SPECIFICATION FOR SURFACE MOUNTED CABINET PULLS ARE TO BE DETERMINED.
2. ALUM. GRILLS AT CABINET BASES TO BE 1/8" x 1/8" SPACE CONTINUOUS ANODIZED WITH CONCEALED FASTENING.



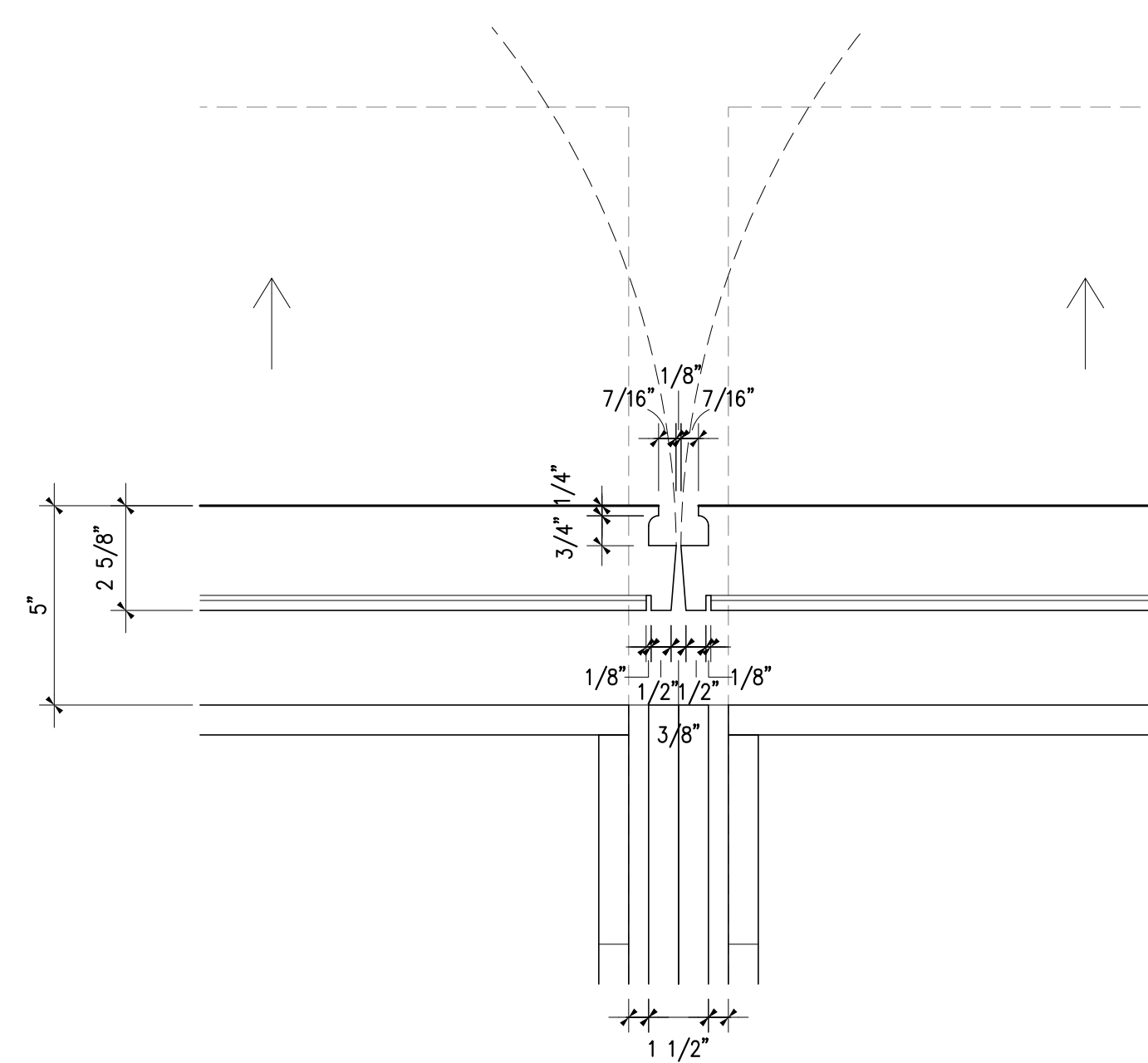
10 JAMB DETAIL
3/4"=1'-0"



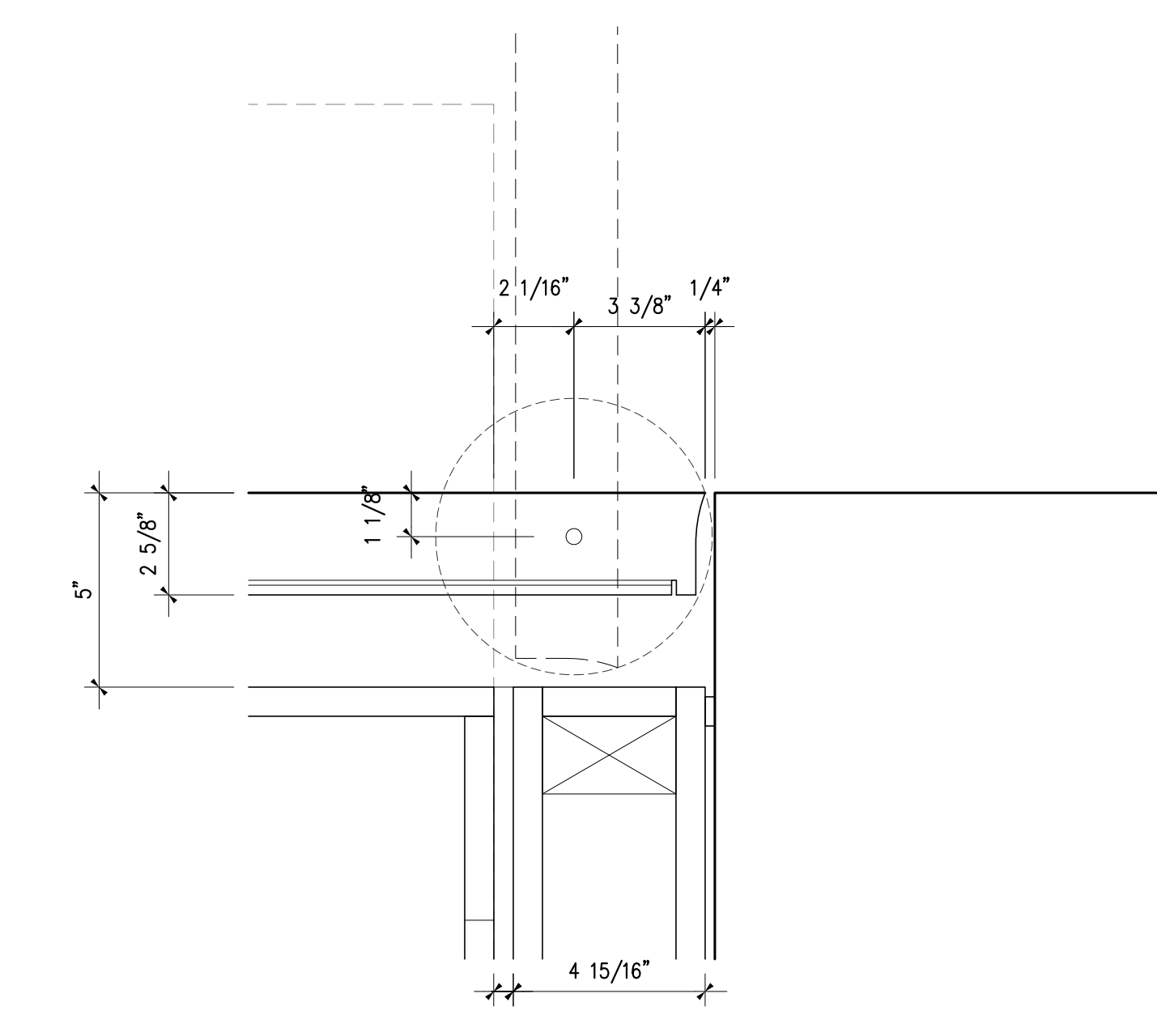
9 JAMB DETAIL
3/4"=1'-0"



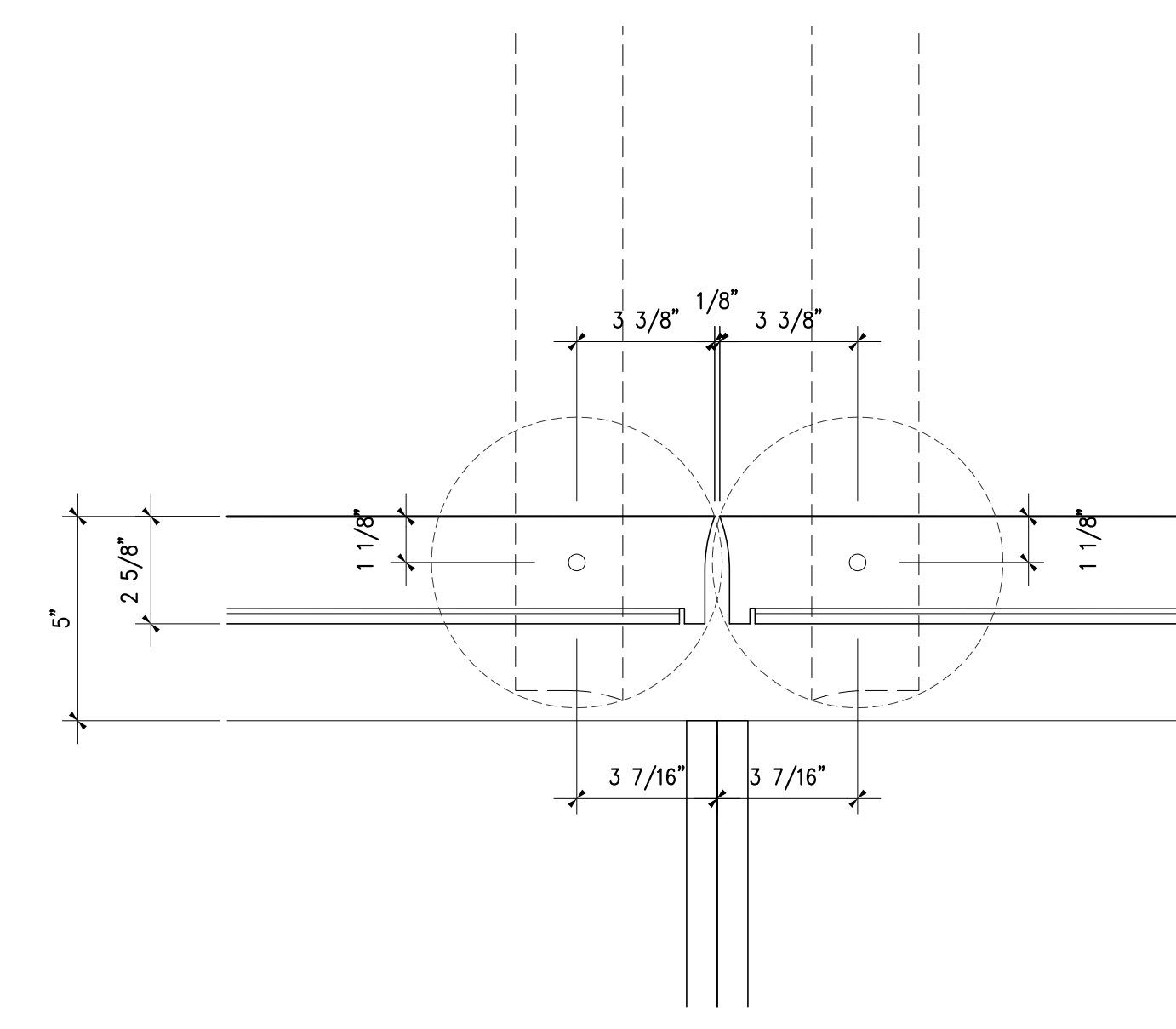
8 JAMB DETAIL
3/4"=1'-0"



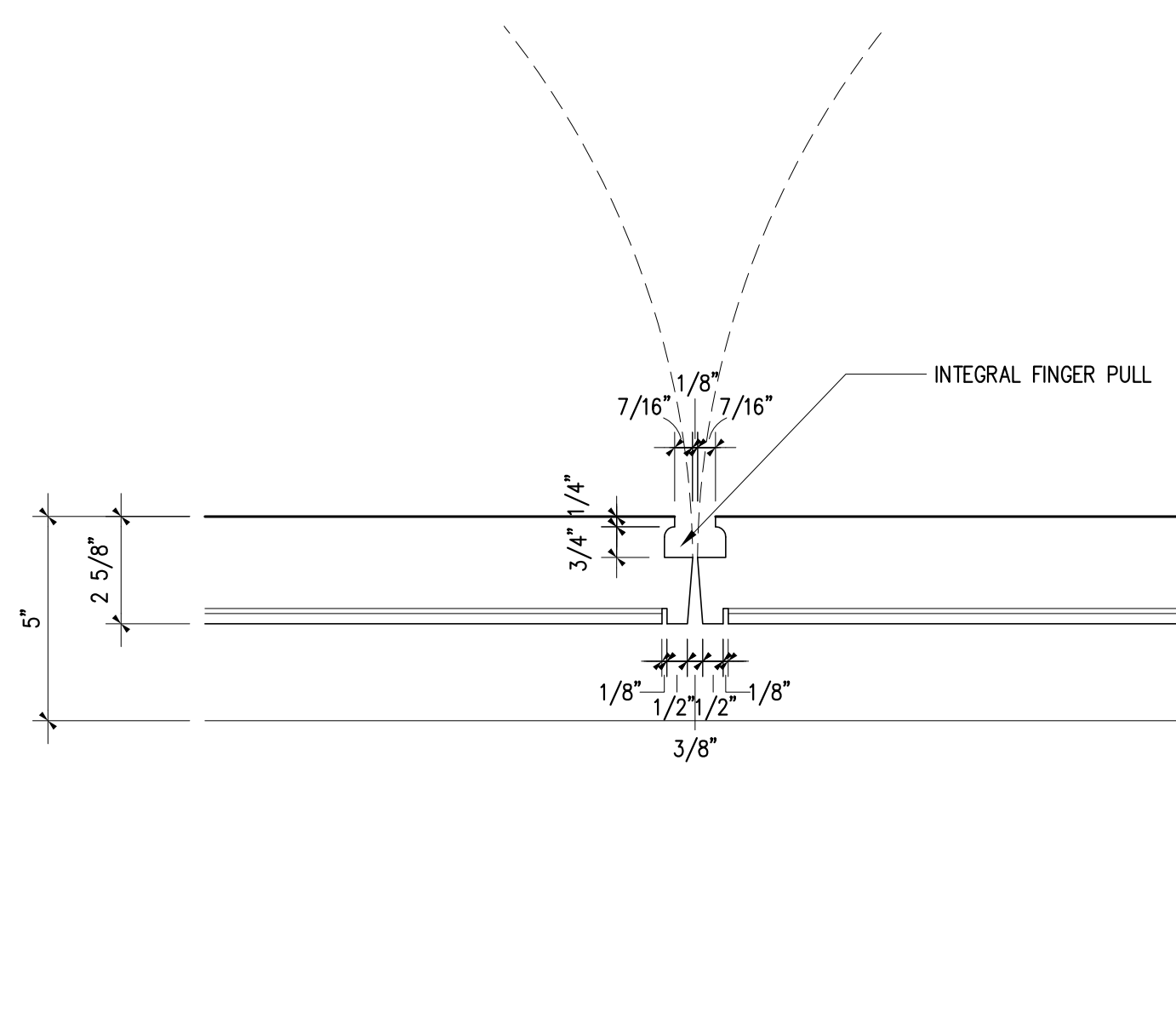
7 JAMB DETAIL
3/4"=1'-0"



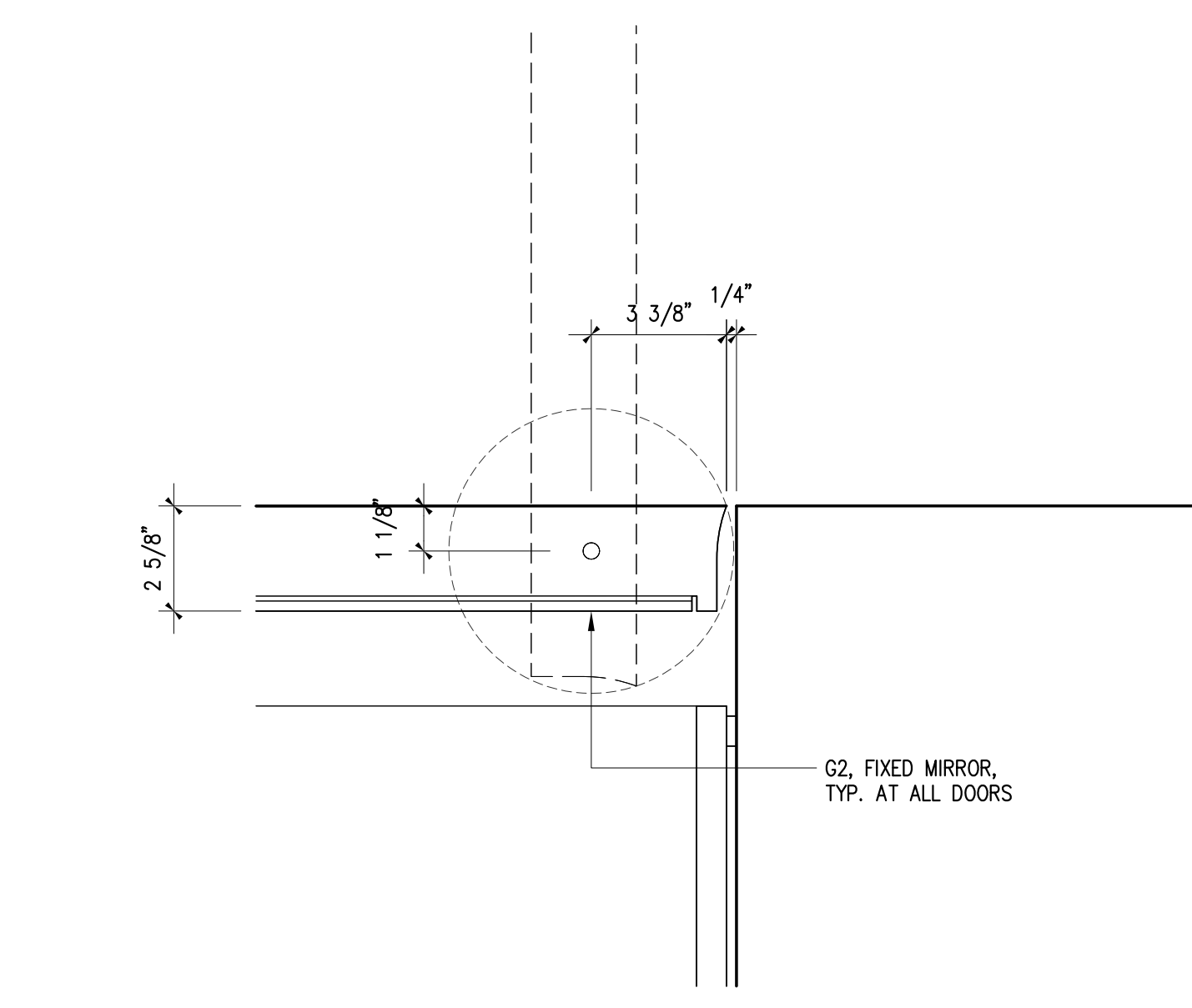
6 JAMB DETAIL
3/4"=1'-0"



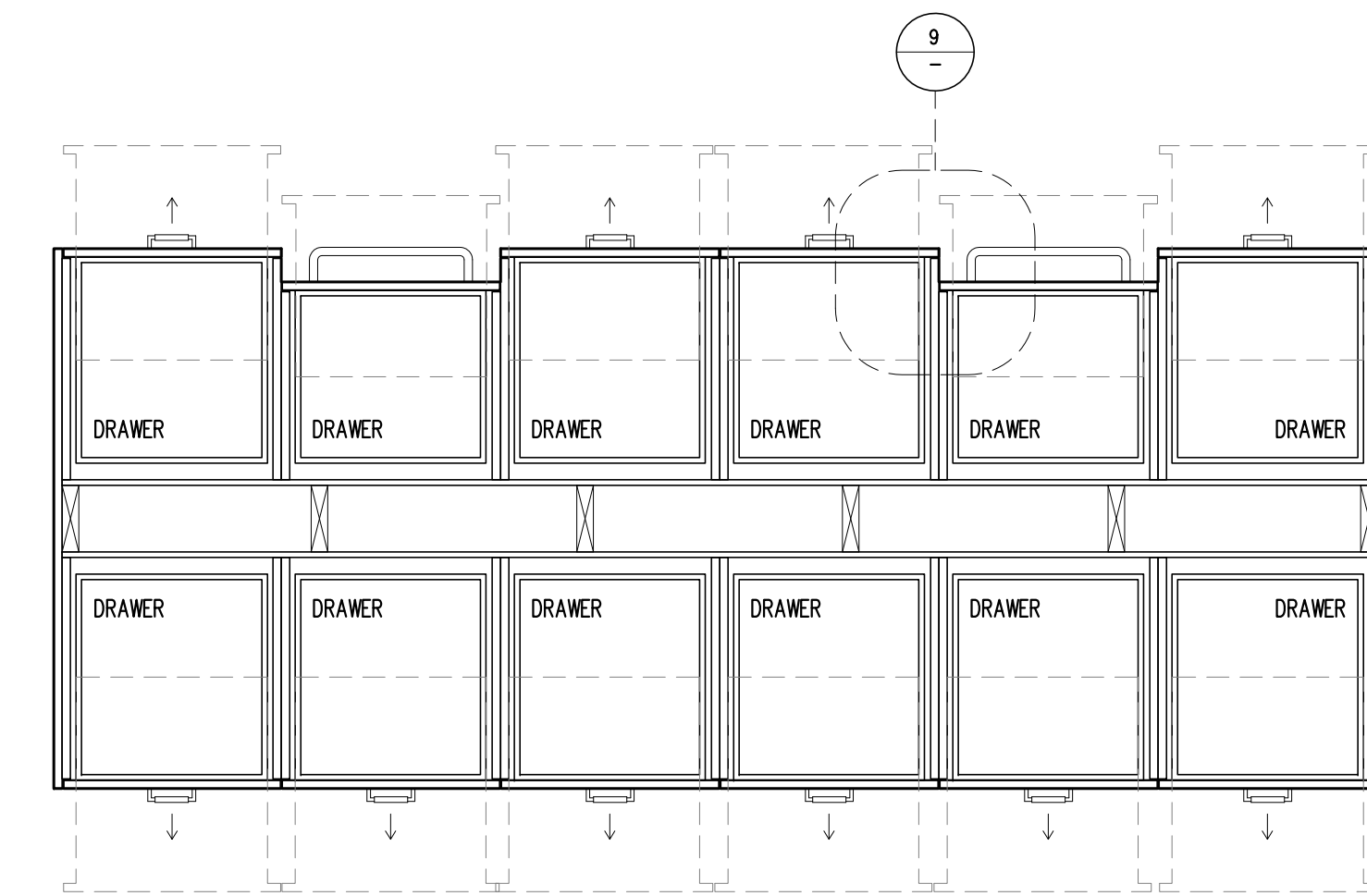
5 JAMB DETAIL
3/4"=1'-0"



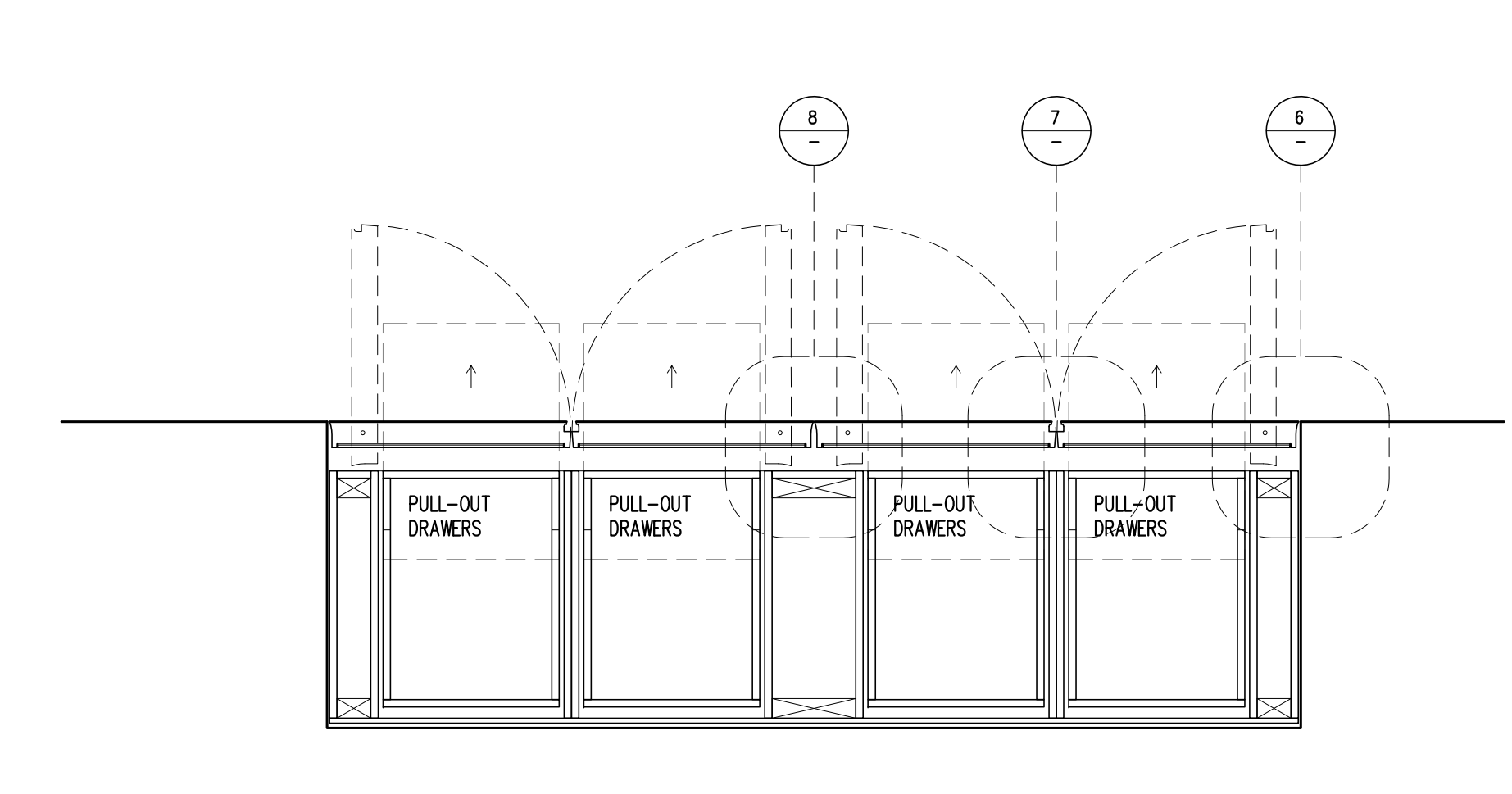
4 JAMB DETAIL
3/4"=1'-0"



3 JAMB DETAIL
3/4"=1'-0"



2 DETAIL SECTION PLAN CL120B
3/4"=1'-0"

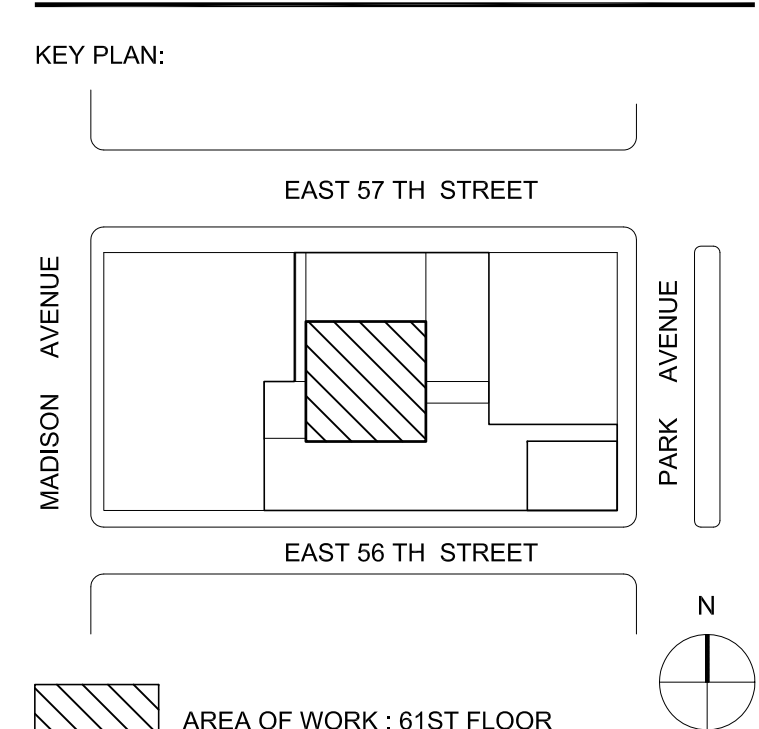


1 DETAIL SECTION PLAN CL120B
3/4"=1'-0"

04 AUG 2017 FOR PRICING

No. Date Issues/Revisions

432 PARK, APT. 78B
432 PARK AVENUE, 61ST FLOOR NEW YORK, NY 10022



KANG MODERN
architects + interior designers
NEW YORK OFFICE
304 Hudson Street, Suite 500
New York, NY 10013
T 212.462.2028
F 212.462.4788

M/E/P Engineers
Tel: (212) 535-9600
New York, NY 10018

HDLC Architectural Lighting design
10 East 28th Street, 5th Floor
New York, NY 10016
Lighting Designers
Tel: (212) 535-7800

18049 SHEETS - SCALE IS FINAL WORKING SCALE
 18024 SHEETS - SCALE IS 1/2"=1'-0" WORKING SCALE
 18037 SHEETS - INTS