

LEGEND

- SUSPENDED CEILING OR SOFFIT, HEIGHT 4'-0"
- SUSPENDED CEILING OR SOFFIT, HEIGHT 10'-0" U.O.M.
- NOT USED
- SUSPENDED CEILING OR SOFFIT, HEIGHT 11'-0"
- SUSPENDED CEILING OR SOFFIT, HEIGHT 12'-0"
- LIGHT COVE ABOVE SOFFIT
- NEW WALL MOUNTED SLOT DIFFUSER
- NEW CEILING MOUNTED SLOT DIFFUSER
- CEILING MOUNTED SMOKE/CO DETECTOR
- CONCEALED COVE WTD SPRINKLER HEAD

GENERAL NOTES

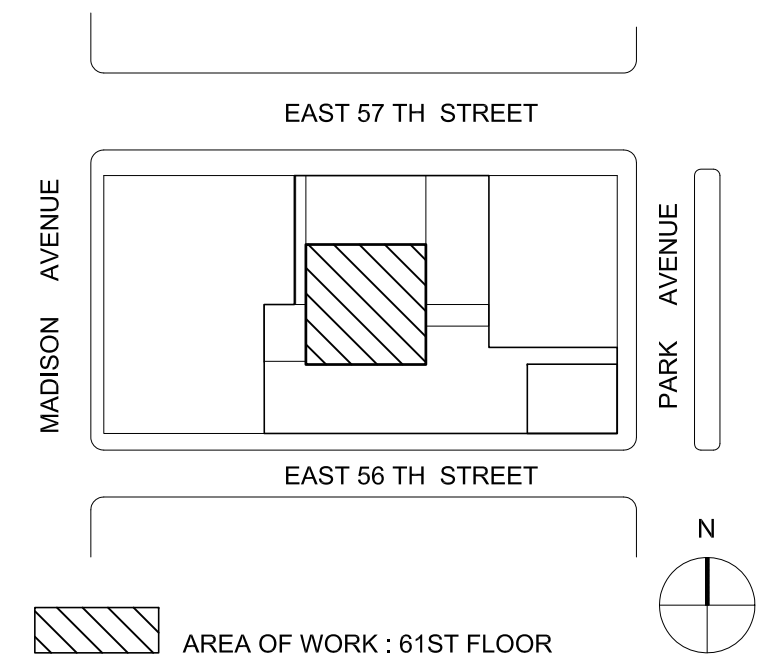
1. EXISTING MOTORIZED ROLLER SHADES AT ALL PERIMETER WINDOWS TO REMAIN. SEE DEVICE LOCATION PLAN A-141 FOR CONTROL OF SHADES.

- 14 FEB 2017 REVISIONS AS BUBBLED
- 28 JAN 2017 REVISIONS AS BUBBLED
- 18 OCT 2017 REVISIONS AS BUBBLED
- 12 OCT 2017 REVISIONS AS BUBBLED
- 14 SEP 2017 FOR COORDINATION
- 04 AUG 2017 FOR PRICING

No. Date Issues/Revisions

432 PARK, APT. 78B
432 PARK AVENUE, 61ST FLOOR NEW YORK, NY 10022

KEY PLAN:



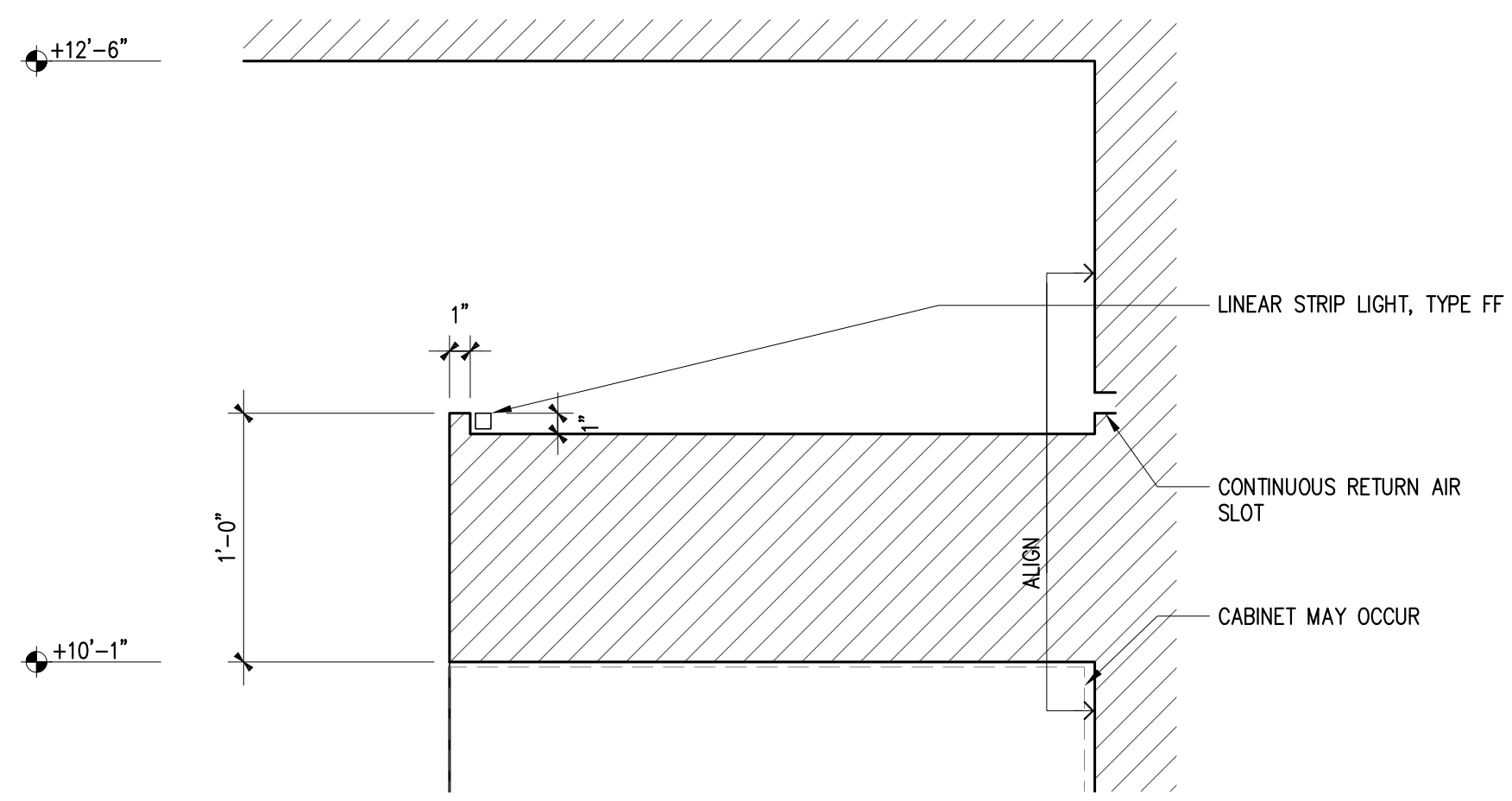
KANG MODERN
ARCHITECTS + INTERIORS
NEW YORK OFFICE
304 Hudson Street, Suite 500
New York, NY 10013
T: 212.462.2028
F: 212.462.4788

WSP Flack & Kurtz
512 Seventh Avenue
New York, NY 10018
HDL.C. Architectural Lighting design
10 East 28th Street, 5th Floor
New York, NY 10016

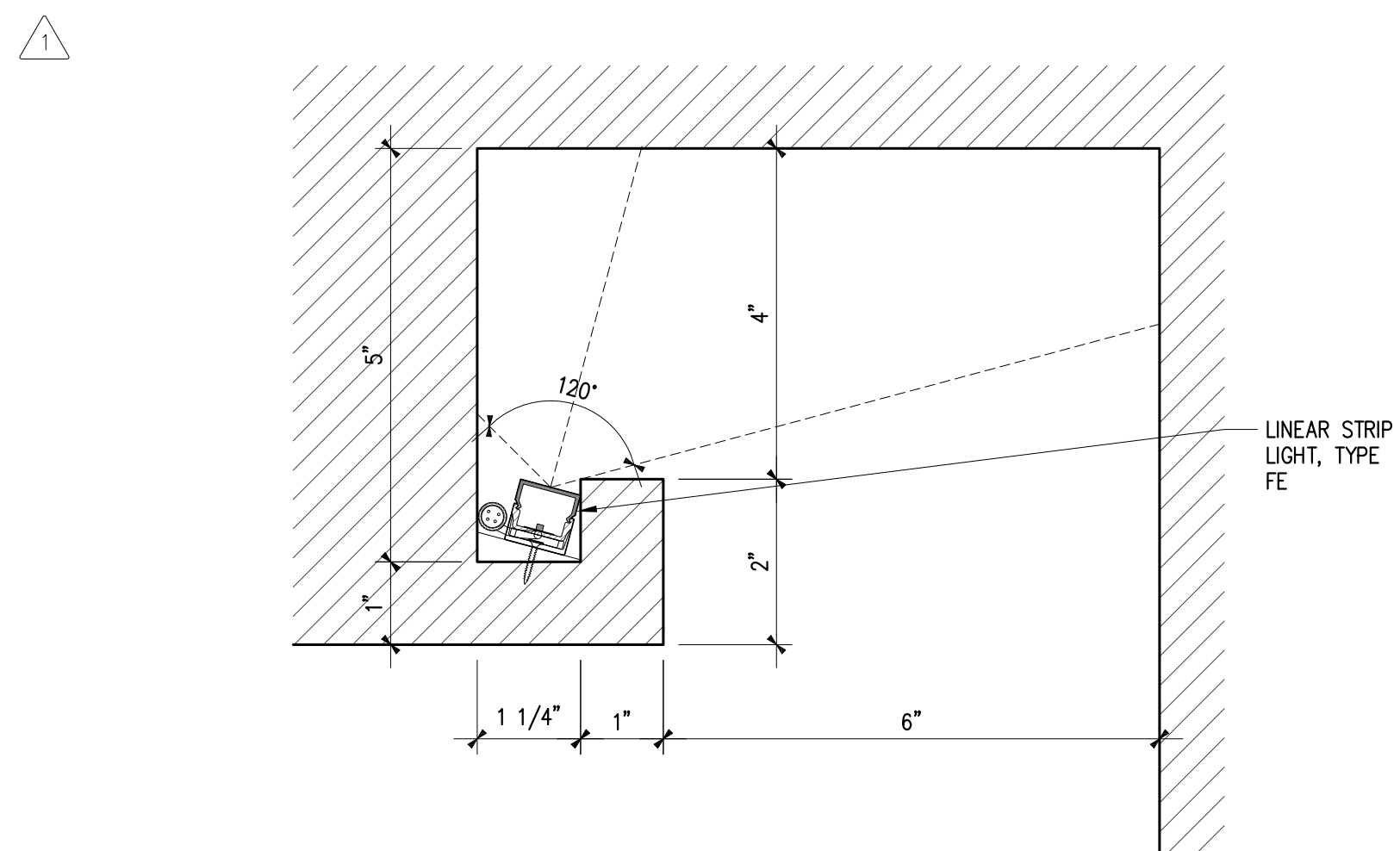
M/E/P Engineers
Tel: (212) 535-9600
Lighting Designers
Tel: (212) 535-7600

**REFLECTED CEILING PLAN
61ST FLOOR (CONST.)**

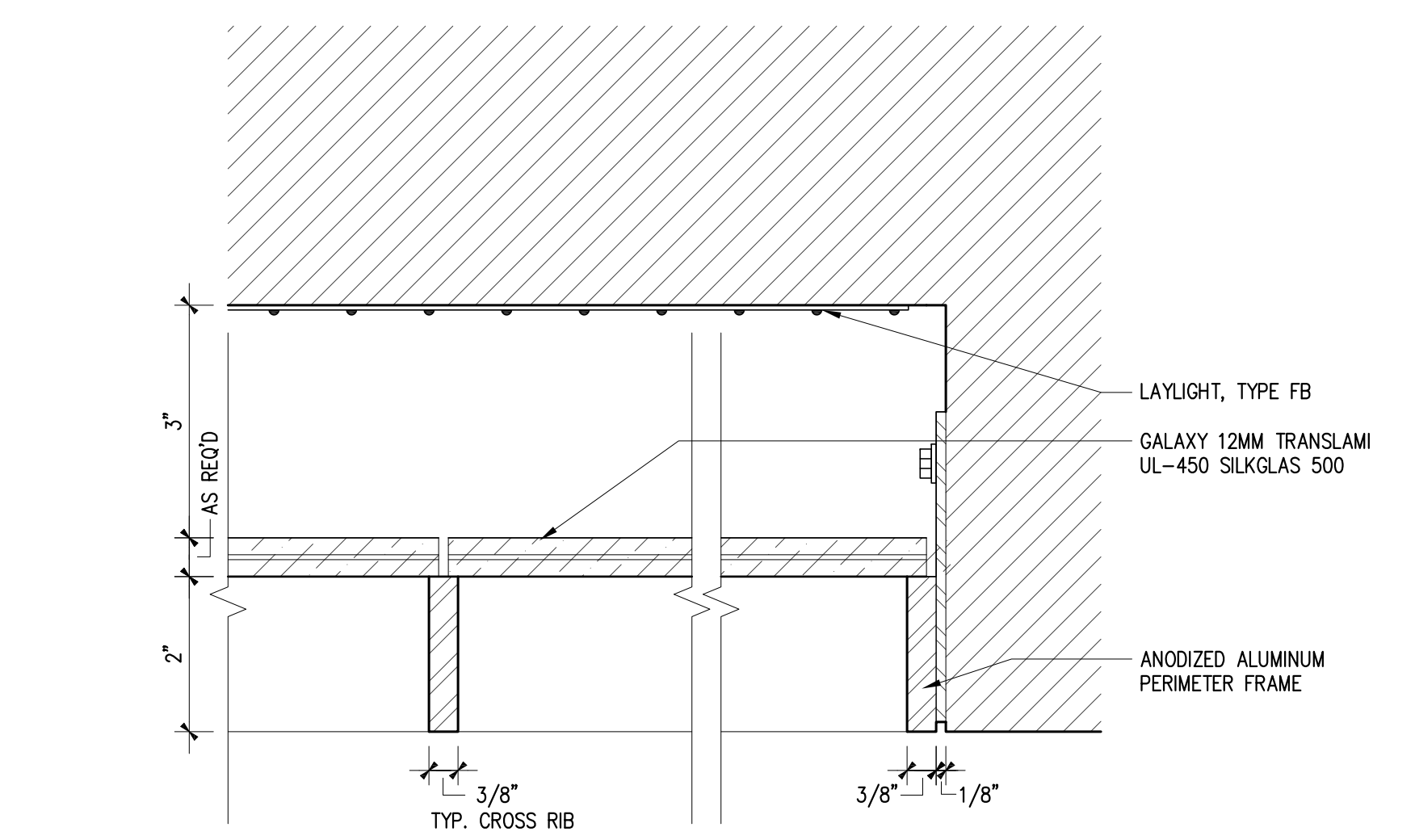
Scale: 1/4"=1'-0"
Date: 25 JAN 2017 **A-111**



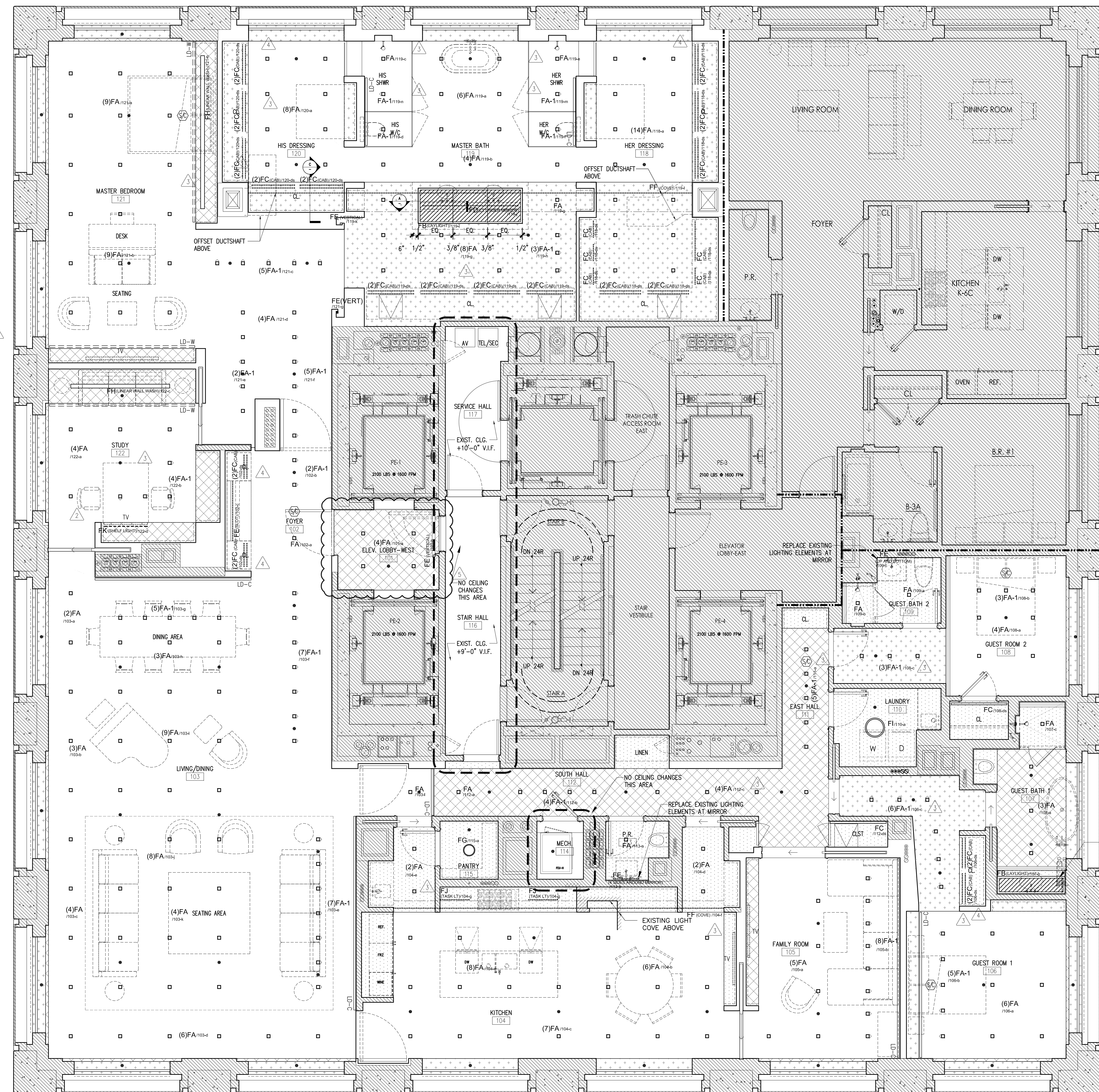
C LIGHT COVE AT MASTER BATH
1'-1/2"=1'-0"



B LIGHT SLOT DETAIL
6"=1'-0"



A LAYLIGHT DETAIL
6"=1'-0"



NEW LIGHTING ELEMENT WITHIN EXISTING LAYLIGHT ENCLOSURE