

# LEGEND

SYMBOL	DESCRIPTION
1	INDICATES AREA OR ROOM NUMBER
[Symbol]	BASE BUILDING WALL & COLUMNS TO REMAIN
[Symbol]	NOT IN CONTRACT
[Symbol]	NEW WALL MOUNTED VOICEDATA J-BOX WITH 1" DIA. STUB UP TO 6" ABOVE FINISH CEILING. PROVIDE BLANK COVER PLATE.
[Symbol]	NEW WALL MOUNTED VOICE J-BOX WITH 3/4" DIA. STUB UP TO 6" ABOVE FINISH CEILING FOR SINGLE WALL MOUNTED TELEPHONE.
[Symbol]	NEW WALL MOUNTED ELECTRICAL DUPLEX OUTLET
[Symbol]	NEW WALL MOUNTED DUPLEX ELEC. OUTLET (GROUND FAULT INTERRUPTER) 4" A.F.F. U.O.N.
[Symbol]	NEW WALL MOUNTED ELECTRICAL QUAD OUTLET - (1) REGULAR DUPLEX OUTLET AND (1) COMPUTER OUTLET-GRAY (MAX 3 DUPLEX ON CIRCUIT) INSULATED GROUND.
[Symbol]	NEW WALL MOUNTED 20 AMP SEPARATE CIRCUIT. SEE SCHEDULE, THIS SHEET.
[Symbol]	NEW ELECTRICAL DEVICES LOCATE IN CONVECTOR ENCLOSURE KNOCK-OUT U.O.N. PROVIDE J-BOX & 1" DIA. STUB UP TO 6" ABOVE FINISH CEILING.
[Symbol]	ELECTRIC J-BOX FOR FUTURE FURNITURE SYSTEM SUPPLY. (20A SERVICE/SC) F & I BLANK COVER OVER LIVE SERVICE. MOUNT 6" A.F.F. STUB-UP TO ABOVE CEILING. MOUNT 6" A.F.F.
[Symbol]	VOICE/DATA J-BOX FOR FUTURE FURNITURE SYSTEM WITH 1" DIA. STUB-UP TO ABOVE CEILING. MOUNT 6" A.F.F.
[Symbol]	ALL WIRES IN CEILING BELOW IS TO BE RUN IN APPROPRIATE SIZED MTL CONDUIT NEW WALL MOUNTED CABLE TV OUTLET WITH 1" DIA. STUB UP TO 6" STUB-UP TO ABOVE CEILING. MOUNT 6" A.F.F. (U.O.N.). G.C. TO F&I (1) COAX CABLE HOME BACK TO TELEPHONE CLOSET
[Symbol]	FLOOR OUTLETS
[Symbol]	ALL WIRES IN CEILING BELOW IS TO BE RUN IN APPROPRIATE SIZED MTL CONDUIT NEW FLUSH FLOOR MOUNTED ELECTRICAL QUAD OUTLET - EQUAL TO WIREMOLD WALKER RC9000. ALL WIRE IN CEILING BELOW IS TO BE RUN IN APPROPRIATE SIZED METAL CONDUIT
[Symbol]	FLUSH FLOOR MOUNTED VOICE POKE THROUGH W/ 1" CONDUIT STUB UP EQUAL TO WIREMOLD WALKER RC9000-AMD. ALL WIRE IN CEILING BELOW IS TO BE RUN IN APPROPRIATE SIZED METAL CONDUIT.
[Symbol]	FURNITURE OUTLETS
[Symbol]	NEW FURNITURE MOUNTED ELECTRICAL DEVICES & ASSEMBLIES COORDINATE W/ FURNITURE DEALER AND CLIENT FOR ALL REQUIREMENTS.
[Symbol]	FURNITURE MOUNTED DUPLEX POWER OUTLET.
[Symbol]	FURNITURE MOUNTED 20 AMP SEPARATE CIRCUIT
[Symbol]	FURNITURE MOUNTED VOICEDATA OUTLET.
[Symbol]	EXISTING OUTLETS
[Symbol]	EXISTING DUPLEX OR QUAD OUTLETS TO REMAIN. G.C. TO CONFIRM ALL OUTLET ARE IN PROPER WORKING ORDER. NOTIFY ARCHITECT/ CLIENT FOR DISCREPANCIES. ALL EXISTING OUTLETS COVER PLATE TO MATCH NEW.
[Symbol]	EXISTING VOICEDATA OUTLETS TO REMAIN

## TELEPHONE & ELECTRIC NOTES

- ANY EXISTING ELECTRICAL AND COMMUNICATION OUTLETS NOT BEING RE-USED ARE TO BE REMOVED & WALL PATCHED.
- THE CONTRACTOR IS TO VISIT THE SITE AND PLAN HOW WORK IS TO BE ACCOMPLISHED PRIOR TO SUBMITTING BID. UPON AWARDING OF CONTRACT. ANY ADDITIONAL COSTS TO ACHIEVE END RESULTS WILL BE CONTRACTOR'S RESPONSIBILITY.
- GENERAL CONTRACTOR TO VERIFY, PRIOR TO SUBMISSION OF ESTIMATES, ADEQUACY OF EXISTING POWER IN THE SPACE AND THAT IT WILL SATISFACTORILY SUPPLY SPACE WITH SUFFICIENT POWER ACCORDING TO LOCAL CODE. ANY POTENTIAL PROBLEMS TO BE REPORTED TO ARCHITECT & ENGINEER IMMEDIATELY.
- GENERAL CONTRACTOR SHALL INCLUDE AND COORDINATE ALL ELECTRICAL WORK FOR HVAC AND FIRE PROTECTION SYSTEM.
- THE G. CONTRACTOR SHALL CONNECT, DISCONNECT AND PROVIDE NECESSARY RUNS AND CIRCUITS TO CONFORM WITH THE PLANS AND SPECIFICATIONS.
- THE GENERAL CONTRACTOR SHALL PROVIDE AS BASE CONTRACT ALL CHOPPING, CORING, CUTTING AND PATCHING FOR ALL CHASES AS REQUIRED IN THE FLOORS, WALLS AND CEILINGS.
- THERE IS TO BE NO CHOPPING OR CORING INTO EXISTING CORE WALLS - WITHOUT EXCEPTION. SHOULD RECESSED OUTLETS, STROBES OR LIGHT SWITCHES BE REQUIRED AT THESE LOCATIONS, THE EXISTING CORE WALL MUST BE FURRED-OUT TO ACCOMMODATE ELECTRICAL DEVICE.
- ALL DEVICES ARE TO BE MOUNTED 15" A.F.F. VERTICALLY (U.O.N.)
- ALL CLASS 'E' DEVICES ARE TO BE FULLY RECESSED WITH WHITE FINISH.
- ELECTRICAL PANEL IS TO BE FULLY RECESSED. SEE ENGINEERING DRAWINGS.
- DIMENSIONS TO RECEPTACLES ARE TO BE CENTERLINE OF A SINGLE RECEPTACLE OR TO CENTERLINE BETWEEN PAIR OF RECEPTACLES.
- ALL BACK TO BACK OUTLET BOXES IN ADJOINING ROOMS SHALL BE STAGGERED.
- ALL OUTLETS & VOICE/DATA PLATES SHALL BE LEVITON DECORA WHITE U.O.N.
- ELECTRICAL CONTRACTOR IS RESPONSIBLE FOR ALL WIRING & POWER REQ'TS.
- ENGINEER IS TO VERIFY AMPERAGE & OUTLET REQUIREMENTS FOR ALL SEPARATE CIRCUITS AND DEDICATED OUTLETS.
- ALL ELECTRICAL WORK TO BE AS PER ALL APPLICABLE CODES, LOCAL LAWS & GOVERNING AGENCIES.
- LOCATIONS FOR ALL SPEAKER / STROBES ARE TO BE ABOVE LIGHT SWITCHES VERIFIED WITH MKDA PRIOR TO INSTALLATION.
- FOR LOCATION OF ELECTRICAL OUTLETS AT PANTRY SEE ELEVATIONS ON A-XXX
- G.C. TO PROVIDE FOR CONNECTING FURNITURE SYSTEM TO NEW ELECTRICAL J-BOXES. NO EXPOSED WIRES. SEE ENGINEERING DWGS
- CONTRACT SHALL NOT INCLUDE LOOSE FURNITURE UNLESS OTHERWISE NOTED. ELECTRICAL CONTRACTOR SHALL INCLUDE RECEIVING AND HANDLING OF ELECTRICAL DEVICES ASSOCIATED WITH TENANT FURNITURE SYSTEMS. ELECTRICAL CONTRACTOR SHALL ALSO INCLUDE WITHIN THE SCOPE OF WORK THE HOOK UP OF SYSTEMS FURNITURE VIA FURNITURE VENDOR SUPPLIED WHIPS AND INSTALLATION OF SAME VENDORS ELECTRICAL DEVICES WITHIN SYSTEMS FURNITURE, INCLUDING BUT NOT LIMITED TO RECEPTACLE DEVICES AND TASK LIGHTING.
- ALL POWER WIRING TO THE A/C UNIT SHALL BE PLACED IN "EMT" CONDUIT.
- NO EXPOSED VOICEDATA WIRING SHALL BE PERMITTED. VOICEDATA & ALL LOW VOLTAGE CABLES IN CEILING PLENUM SHALL BE TEFLON COATED AND SUPPORTED SO AS NOT TO REST ON SUSPENDED CEILING.
- ALL LOW VOLTAGE WIRING IN SUSPENDED CEILING PLENUM SHALL BE PLENUM RATED TEFLON COATED AND INDEPENDENTLY SUPPORTED.
- ALL RECEPTACLES TO BE GROUNDED AND TO RECEIVE STANDARD 3-PRONG PLUG. UNLESS VOLTAGE, AMPERAGE OR SPECIFIC NOTATION CALLS FOR A SPECIFIC TYPE OF RECEPTACLE.
- ALL RECEPTACLES TO BE SET FLUSH AND WIRING TO BE CONCEALED IN WALLS, CABINETWORK, NO EXPOSED TUBING OR MOLDING SHALL BE PERMITTED. U.O.N.
- GENERAL CONTRACTOR SHALL PROVIDE "MUD RING" AND DRAG LINES TO EACH VOICEDATA OUTLET, SECURITY J-BOX AND TO ANY OTHER EQUIPMENT THAT WOULD REQUIRE A CABLE FEED FROM OUTLET TO ABOVE SUSPENDED, ACCESSIBLE CEILING, U.O.N.
- WHERE ELECTRICAL WORK IS SPECIFIED IN CABINETWORK, ALL FIXTURES, SWITCHES, ETC. SHALL BE FURNISHED AND INSTALLED BY THE ELECTRICAL CONTRACTOR. "CUT-OUTS" IN CABINETWORK FOR SAME SHALL BE FACILITATED BY THE MILLWORK CONTRACTOR.
- PROVIDE NEW THERMOSTAT(S) WHERE SHOWN ON PLANS AND AS REQUIRED BY MECHANICAL ENGINEER ON APPROVED SHOP DRAWINGS.
- G.C. TO INCLUDE PRICING FOR CONNECTING FURNITURE SYSTEM TO NEW ELECTRICAL J-BOXES - INCLUDING TASK LIGHTING.
- EXISTING LIGHT SWITCHES, ELECTRICAL AND COMMUNICATION OUTLETS NOT BEING RE-USED ARE TO BE SAFED OFF & REMOVED. PATCH OPENINGS.
- ALL EXISTING LIGHT SWITCHES THAT ARE TO REMAIN ARE TO BE REPLACED WITH NEW SWITCHES AND COVER PLATES.
- ALL EXISTING AND NEW FIRE ALARM DEVICES AT ARE TO BE MOUNTED AT RECD ADA HEIGHT AS PER CODE. G.C. IS TO REMOVE AND RELOCATE IF REQD.
- LOW VOLTAGE CABLING BY OTHERS. G.C. TO ACCOMMODATE LOW VOLTAGE & SECURITY VENDORS DURING CONSTRUCTION & INCORPORATE INTO CONSTRUCTION SCHEDULE.

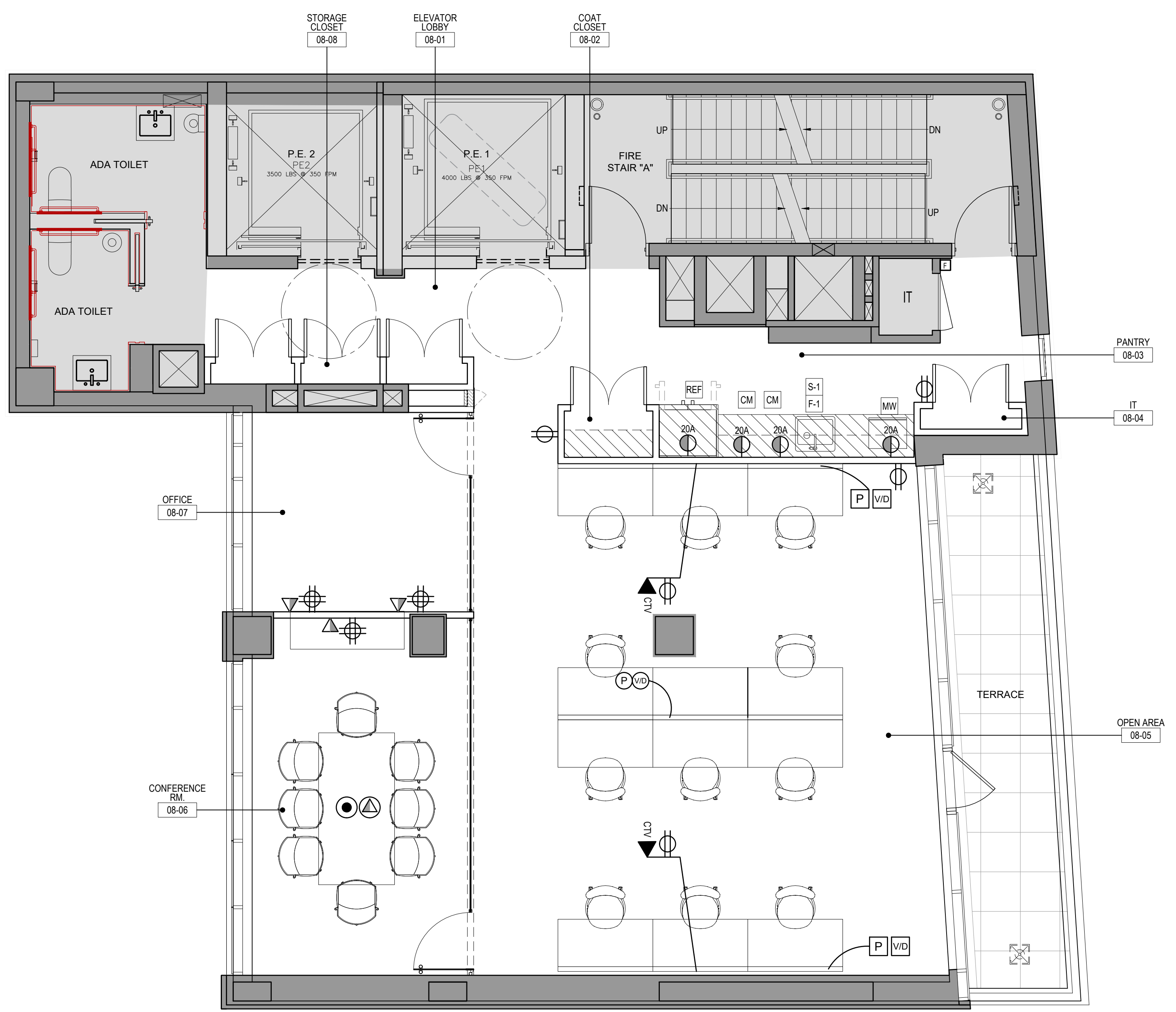
## SEPARATE CIRCUIT NOTE:

- NEW SEPARATE CIRCUIT ELECTRICAL DUPLEX OUTLET(U.O.N) TO BE MTD. AT 15" A.F.F. (U.O.N.) SUBSCRIPT INDICATES CIRCUIT. SEE ENG. DWGS.
- REF BLDG. STD. 20 AMP SEPARATE CIRCUIT FOR REFRIGERATOR.
  - COFF BLDG. STD. 20 AMP SEPARATE CIRCUIT FOR COFFEE MAKER. 42" A.F.F.
  - MW BLDG. STD. 20 AMP SEPARATE CIRCUIT FOR MICROWAVE. V.I.F. HT.
  - COPI BLDG. STD. 20 AMP SEPARATE CIRCUIT FOR COPIER.
  - IT BLDG. STD. 20 AMP QUAD SEPARATE CIRCUIT FOR TELE.COM. PANEL. SEE ENG. DWG
  - HWT BLDG. STD. 20 AMP QUAD SEPARATE CIRCUIT FOR HOT WATER TANK.

## T&E PLAN KEYED NOTES:

- NEW WALL MTD. FLAT PANEL TV - G.C. TO F&I (1) DUPLEX OUTLET, (1) BACK BOX & STUB UP FOR DATA, RECESSED PLYWOOD BLOCKING & ALL REQUIRED CONNECTIONS/DEVICES TO ENSURE PROPER WORKING ORDER. BRACKET FINISHED BY TENANT. INSTALL BY G.C., HEIGHT: T.B.D.
- TELECOMMUNICATIONS GROUNDING BUSBAR - THE ELECTRICAL CONTRACTOR TO FURNISH AND INSTALL GROUND BAR ON THE PLYWOOD IN ALL IT ROOMS.
- G.C. TO F&I METAL CONDUIT FROM TABLE LEG CHOPPED THROUGH SLAB WITH A CONDUIT RUN TO J-BOXES (15" A.F.F.) RECESSED IN WALL BEHIND CREDEZZA, CONTINUES TO CEILING PLENUM. (1) 1-1/4" CONDUIT - FOR DATA (1) 1-1/4" CONDUIT - FOR AV POWER CONDUIT. SEE BUILDING RULES & REG S (DON'T STOP IN WALL)

© 2018 MKDA, INC.  
These plans are the sole property of MILO KLEINBERG DESIGN ASSOCIATES, INC. Use without permission is strictly forbidden and will result in the initiation of legal proceedings.

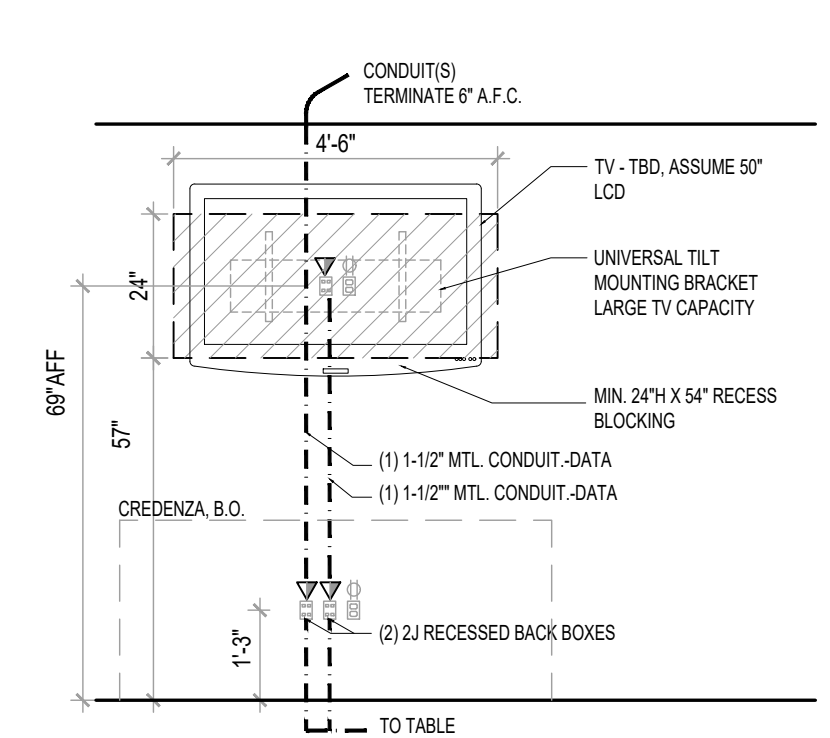


**1 POWER AND VOICE/ DATA PLAN**  
SCALE: 1/4" = 1'-0"

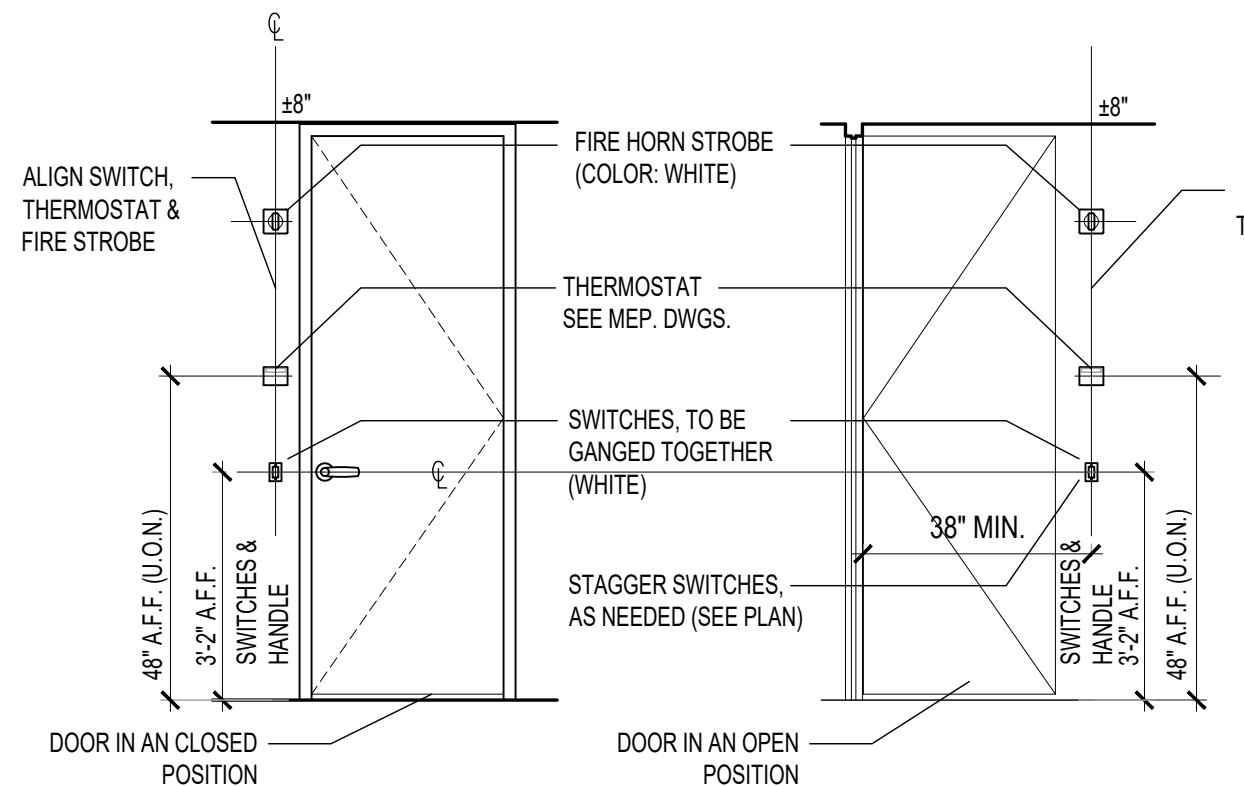
## EQUIPMENT/APPLIANCE SCHEDULE

LABEL	APPLIANCE	MANUFACTURER	MODEL	DIMENSION			FINISH	REMARKS
				WIDTH	HEIGHT	DEPTH		
S-1	SINK	KOHLER	RIVERBY	25"	5 7/8"	22"	STAINLESS STEEL	
F-1	FAUCET WITH ANGLED SPOUT	BRIZO	LITZE	5 9/16" O.C.	14 5/8" O.C.	8 7/8" O.C.	MATTE BLACK/ LUXE GOLD	
REF	REFRIGERATOR WITH ICEMAKER	SUB-ZERO	BI-36S-0	36"			LAMINATE BY LAB DESIGNS UNCHANTED WOOD WS47 VSA	PROVIDE WATER LINE FOR ICE MAKER
MW	MICROWAVE	BOSCH	800 SERIES 24" DRAWER HMD8451UC	23 7/8"	16 5/16"	23 3/8"	STAINLESS STEEL	
CM	COFFEE MAKER	TBD					TBD	PROVIDE WATER LINE 240 V-60 HZ 2300W

NOTES: SUBCONTRACTOR TO COORDINATE APPROVED SUBMITTALS FOR EQUIPMENT + PLUMBING ACCESSORY SPECIFICATIONS AND FINAL POWER REQUIREMENTS, ETC. PRIOR TO MILLWORK DRAWING SUBMITTAL. MILLWORKER/ ELECTRICIAN TO COORDINATE ELECTRICAL REQUIREMENTS, ETC. PRIOR TO MILLWORK DWG SUBMITTAL. REFER TO POWER/DATA & MEP DWGS FOR CORRESPONDING ELECTRICAL INFORMATION.



**2 TV Infrastructure in Confer.**  
SCALE: 3/8" = 1'-0" COORDINATE WITH TENANT A/V VENDOR



**3 Typical Device location**  
SCALE: 1/4" = 1'-0"

ISSUED FOR REVIEW AND PRICING

**MKDA**  
**MILO KLEINBERG**  
**DESIGN ASSOCIATES, INC.**  
902 BROADWAY, NEW YORK, NY 10010. TELE 212 532-9800 FAX 212 889-2180

ARCHITECT OF RECORD: JOHN F. GIUSEFFI, ARCHITECT, P.C.  
902 BROADWAY, 17th FL., NEW YORK, NY. 212.532.9800

PROJECT  
**809 Broadway New York, NY 10003**  
**TOLLIS ADVISORS**  
**8th Floor**

DRAWING TITLE  
**ARCHITECTURAL ELECTRIC & VOICE/DATA PLAN**

SEAL & SIGNATURE	DATE
	06.03.19
PROJECT NUMBER	0387-4
WORKING DWG. BY	AW/JG
DRAWING No.	<b>A-308.00</b>

NYC DOB NUMBER (PLACE STICKER HERE)